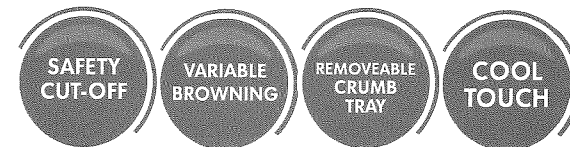


2 Slice Toaster

Instruction Manual



Item No. 34299 / 34869 / 34889 / 34279 / 34289

IMPORTANT! SAFETY INSTRUCTIONS:



READ THIS MANUAL BEFORE USING THIS APPLIANCE.



WARNING! READ ALL SAFETY WARNINGS AND INSTRUCTIONS FAILURE TO FOLLOW THE WARNINGS AND INSTRUCTIONS LISTED BELOW MAY RESULT IN ELECTRIC SHOCK, FIRE AND/OR INJURY

1. **The intended use of this appliance is explained in this manual. The use of accessories other than those recommended in this manual may present a risk of personal injury.**
 2. **Always check the mains voltage corresponds to the voltage on the rating plate.**
- Please read the following information and keep it for future reference.
 - This appliance can be used by children aged from 8 years and above and persons with reduced physical, sensory or mental capabilities or lack of experience and knowledge if they have been given supervision or instruction concerning use of the appliance in a safe way and understand the hazards involved. Children shall not play with the appliance. Cleaning and user maintenance shall not be made by children unless they are older than 8 and supervised.
 - Keep the appliance and its cord out of reach of children less than 8 years
 - The surfaces are liable to get hot during use.
 - That appliances are not intended to be operated by means of an external timer or separate remote-control system.
 - The door or the outer surface may get hot when the appliance is operating.
 - Connect appliance only to an AC power supply with voltage corresponding to the voltage on the rating plate.
 - Never immerse the appliance or the power cord in water or other liquids.
 - Do not clean the toaster or power cord in a dishwasher.
 - The toaster should never come into contact with water or other liquids. In case this ever happens, all parts must be completely dry before operating the appliance again.
 - Never touch the appliance or power cord with wet hands.
 - For safety reasons, never place the appliance on hot surfaces, a metal tray or a wet surface.
 - This appliance is intended for domestic and similar use such as:
 - *staff kitchen areas in shops, offices and other working environments;
 - *agricultural enterprises;
 - * by clients in hotels, motels and other accommodation facilities;
 - *bed and breakfast accommodations and holiday homes.

- agricultural enterprises;
 - by clients in hotels, motels and other accommodation facilities;
 - bed and breakfast accommodations and holiday homes.
- Do not place the appliance or power cord near open flames during operation.
 - Always use the toaster on a level, uncluttered and heat-resistant surface.
 - Make sure that the power cord does not hang over the edge of the counter top or table, since this can cause accidents, for example if small children pull on the cord.
 - Never Wrap the power cord around the appliance; instead, use the power cord storage compartment on the bottom of the appliance.
 - Route the power cord so that there is no possibility of the cord being pulled or tripped over.
 - Use the toaster only indoors.
 - When in use, never cover the toaster with aluminum foil or other materials that could cause the appliance to overheat.
 - Do not touch any hot surfaces, to prevent burns. Always use the handles and control dials.
 - The bread may burn, therefore do not use the toaster near or below combustible material, such as curtains.
 - Do not move the appliance as long as it is in operation, to prevent injuries.
 - Never operate the appliance without the crumb tray; empty the tray regularly.
 - Do not toast foods that can melt.
 - Do not insert excessively large foods or any metal foils, silverware or tools in the appliance. They could cause a fire or short circuit.
 - Do not use the appliance with accessories of other manufacturers or brands, to prevent damage.
 - Unplug the appliance from the power supply after use and prior to cleaning. Never leave the appliance unattended when it is plugged in to the power supply.
 - Clean the appliance after every use.
 - Check the appliance, the plug and the power cord regularly for wear or damage. In case of damage to the power cord or other parts, please send the appliance or the power cord for inspection and repair to electric repair shop for adjustment or repair.
 - If the supply cord is damaged, it must be replaced by the manufacturer or its service agent or a similarly qualified person in order to avoid a hazard.

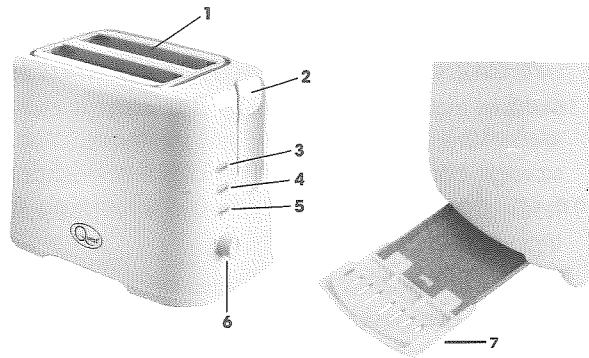
CAUTION:

The appliance becomes hot during operation!



DESCRIPTION

1. Bread slots
2. Toast lever
3. Stop button/Cancel
4. Thaw button/Defrost
5. Warm button/Reheat
6. Toaster darkness control/1-6
7. Crumb tray



TIPS FOR IDEAL TOASTING RESULTS

1. Different types of bread have varying moisture content. Therefore, the same toast darkness setting can produce different results.
2. For bread that is slightly dry, use a lower toast darkness setting.
3. For fresh bread or whole grain bread, use a higher toast darkness setting.
4. Bread with an irregular surface requires a higher toast darkness setting.
5. Thick bread slices need more time for toasting; it may even be necessary to toast the bread a second time.
6. When toasting raisin bread, remove all raisins from the surface, since otherwise they could burn.
7. If you toast only one slice, please select a low toast darkness setting.
8. If you toast several slices one after the other, the bread will be somewhat darker at the same toast darkness setting.

BEFORE USING THE APPLIANCE THE FIRST TIME

1. Remove all packaging materials and any transport safety devices.
2. Confirm that all accessories mentioned have been supplied.
3. Clean the toaster with a damp cloth.
4. Confirm that all components are properly assembled and the appliance is placed firmly.
5. Make sure that there is enough space between the toaster and the wall or other appliances, as the toaster will become hot during operation.
6. Connect the appliance to the mains supply by means of the lead cable.
7. Before using the toaster for the first time, you will have to perform a toasting process without bread. Press the toast levers on both toaster parts down until they latch into place.
8. When the toasting is finished, the toast levers automatically jump up. You may now start toasting bread.

OPERATION - TOASTING

1. Prepare the toaster as described in chapter "Before first use".
2. Put the slices of bread into the slots of toast chamber.
3. Select the desired toasting grade using the roasting grade selector. The adjustment is continuous, corresponding level 1 to light toasting and level 5 to dark toasting. The toast will be golden brown when you adjust the selector to a medium toasting grade.
4. Push the toast levers down until they latch into place. The indicator light for "Stop" lights up and the toasting process starts.
5. You may interrupt the toasting process at any time pushing the button "Stop".
6. When the selected toasting grade is achieved, the bread is ejected automatically. The appliance will be shut off.

OPERATION - WARMING

THE WARMING FUNCTION CAN BE USED TO WARM UP BREAD WITHOUT TOASTING.

1. Place the bread slices in the slots in the toasting chamber.
2. Press the toast lever down until it locks into place.
3. Then press the button "Reheat" right away. The indicator lamp on this button lights up.
4. The bread is warmed without being toasted.
5. You can interrupt the warming cycle any time by pressing the "Stop" button.
6. After completion of the warming cycle the bread is automatically ejected and the indicator lamps go out. The appliance shuts off automatically.
7. Please note that you cannot set the toast darkness when using the warming function.
8. Please take into account that in heating mode the toasting grade cannot be adjusted. The heating time is independent from the toasting grade adjustment.

OPERATION - DEFROST

THE DEFROST FUNCTION FIRST THAWS OUT THE BREAD AND THEN TOASTS IT, WHICH MEANS THAT THE THAWING CYCLE LASTS SOMEWHAT LONGER THAN THE NORMAL TOASTING CYCLE.

1. Place the bread slices in the slots in the toasting chamber.
2. Press the toast lever down until it locks into place.
3. Select the desired toast darkness setting.

4. We recommend the following toast darkness settings:
 - *Light for bread from the refrigerator or thin frozen bread slices.
 - *Medium for frozen waffles
 - *Dark for thicker frozen bread slices and thick toast slices.
5. Press the toast lever down until it locks into place.
6. Then press the button "Defrost" right away. The indicator lamp on this button lights up.
7. The bread is thawed and toasted.
8. You can interrupt the cycle any time by pressing the "Stop" button.
9. After completion of the thawing cycle the bread is automatically ejected and the indicator lamps go out. The appliance shuts off automatically.

CLEANING AND CARE

1. Allow the appliance to cool before cleaning it.
2. Before cleaning, always turn off the appliance and unplug it from the power supply.
3. Do not immerse the appliance and power cord in water or other liquids or wash them in the dishwasher.
4. Wipe off the toaster with a damp cloth and a little dish washing detergent. Do not use any abrasive scouring agents, steel wool, metal objects, hot cleaning agents or disinfectants, since they can damage the appliance.
5. To remove stuck bread slices, unplug the toaster and turn it over and shake lightly. Never attempt to remove stuck bread slices with sharp or pointed tools or silverware.
6. Remove crumbs and any small pieces of bread from the crumb tray regularly. To do this, pull the crumb tray on the side all the way out and empty it. Wipe the crumb tray with a damp cloth, then dry it thoroughly and push it back into the appliance.
7. The appliance must be completely dry before you use it again.

WARNING: NEVER IMMERSE THE TOASTER IN WATER

- To clean the exterior, wipe with a soft damp cloth and the wipe dry with a soft cloth.
- Do not use scouring creams or powders.
- Remove stubborn stains with a cloth moistened with mild liquid detergent.
- From time to time ,dependant on the nature of your water supply, you may need to clean off the scale on the inside of the Jug Kettle. You will have to do this in areas where the water is "Hard Water". We recommend that you use a well know branded DESCALER for this. Please follow the descaler instructions when doing this.

PLUG:

1. This appliance has been fitted with a BS UK compliant plug which should not be replaced or removed.
2. The plug is fitted with UK compliant fuse link which is suitable for this type of appliance and should only be replaced by a fuse link of the same rating.
3. If access to the fuse link is only possible by removing the plug cover this must only be done by a suitably qualified person.
4. If the plug or the mains cable of this appliance is damaged do not use and dispose of the appliance responsibly.
5. This appliance is earthed.

Information on Waste Disposal for Consumers of Electrical & Electronic Equipment

This mark on a product and/or accompanying documents indicates that when it is to be disposed of, it must be treated as Waste Electrical & Electronic Equipment (WEEE).

Any WEEE marked waste products must not be mixed with general household waste, but kept separate for the treatment, recovery and recycling of the materials used.

For proper treatment, recovery and recycling; please take all WEEE marked waste to your Local Authority Civic waste site, where it will be accepted free of charge.

If all consumers dispose of Waste Electrical & Electronic Equipment correctly, they will be helping to save valuable resources and preventing any potential negative effects upon human health and the environment, of any Hazardous materials that the waste may contain.



Importer UK: Benross Marketing Ltd, Liverpool L24,9HJ.
Importer EU: Benross Marketing Ltd, Italeiei 1-2000 Antwerp Belgium.
Consumer Service: E: afterservice@benross.com. T:+441518327600
Made in P.R.C.